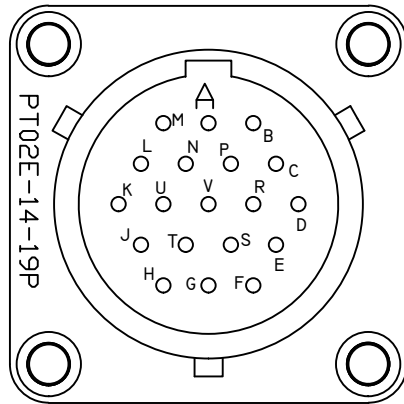
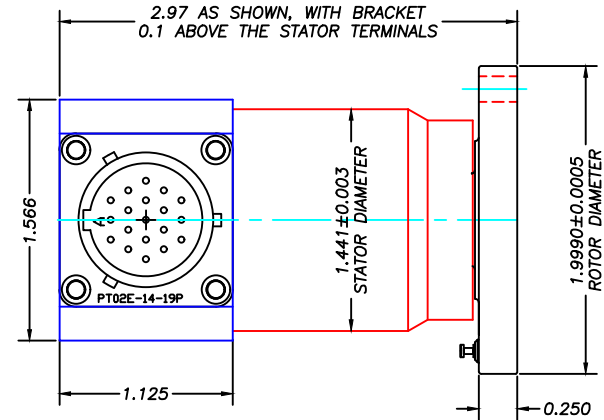
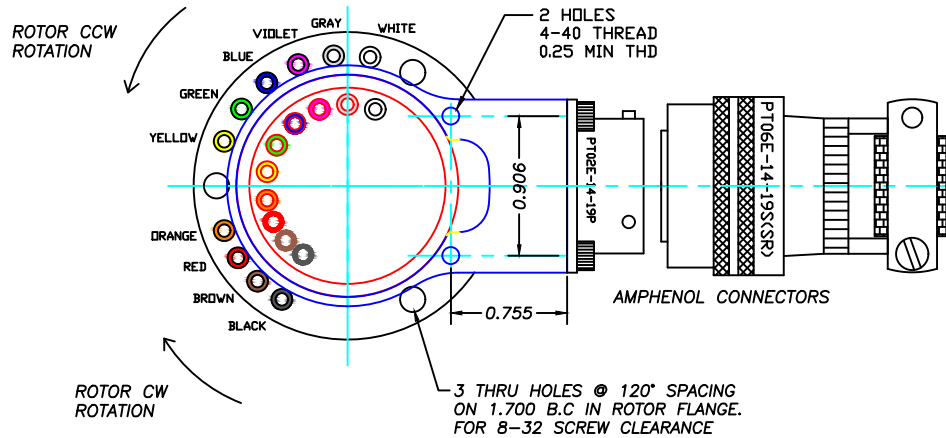


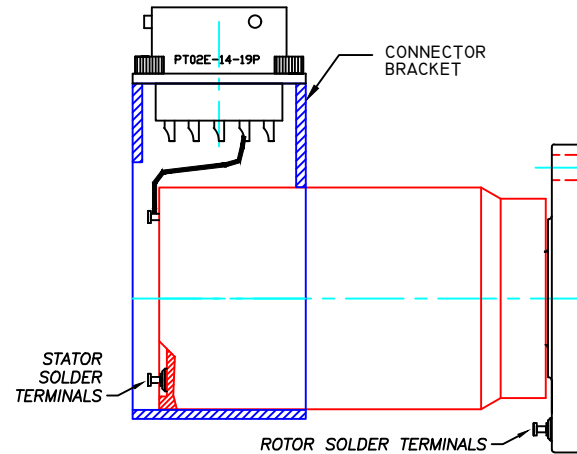
C456317A

DATE	BY	REVISION	LDC.

MODEL SR10M/EL2/CW OR SR10M/EL2/CCW SLIP RING  
& C574154B CONNECTOR BRACKET & AMPHENOL PT02E-14-19P AND PT06E-14-19S(SR) CONNECTORS.



CONNECTOR CONTACT	SOLDER TERMINAL COLOR
A	BLACK
B	BROWN
C	RED
D	ORANGE
E	YELLOW
F	GREEN
G	BLUE
H	VIOLET
J	GREY
K	WHITE
L	NONE
M	NONE
N	NONE
P	NONE
R	NONE
S	NONE
T	NONE
U	NONE
V	NONE



THESE MODELS HAVE 10 SLIP RINGS & EXTENDED LIFE CONTACTS.

THESE DIRECTIONAL MODELS HAVE LONGER LIFE THAN THE SR10M/EL2 BIDIRECTIONAL MODEL IF A SR10M/EL2/CW IS USED ONLY FOR CW ROTATION & A SR10M/EL2/CCW IS ONLY USED FOR CCW ROTATION.

THE CONNECTOR BRACKET IS GLUED ONTO THE SLIP RING STATOR WITH AN ADHESIVES SUCH AS HARDMAN 4002 EPOXY OR A LOCTITE RETAINING COMPOUND.

**M**ICHIGAN SCIENTIFIC CORPORATION  
08500 ANCE ROAD  
CHARLEVOIX, MI 49720  
PHONE: (231)547-5511 FAX: (231)547-7070

TOLERANCES .xxxx ±---- .xxx ±--- .xx ±-- ANGLES ±--- SURFACE FINISH ---RMS	DESIGNED BY: KDL DATE: 11-1-22	SCALE:
DRAWING NO.: C456317A	TITLE: SR10M/EL2/CW OR SR10M/EL2/CCW & CONNECTOR BRACKET	
	MATERIAL: VARIOUS	